

NEW RANGE OF COMPONENTS best performance



Future product portfolio Rotary feeders

- Rotary feeders types CFM/CFH
- Rotary feeders types D5 and DX5 (series II)
- Rotary feeders types A1/AG11 and AX1/AGX11 (series II)
- Rotary feeders type PFC

Future product portfolio Diverter valves

- Diverter valves types VST/TST
- Diverter valves type M
- Diverter valves type ZWR (only in the "wear-resistant" version)
- Diverter valves types ZWS/DWS
- Diverter valves type ZWV

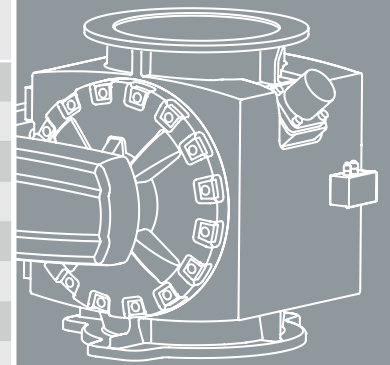


Good just got better!



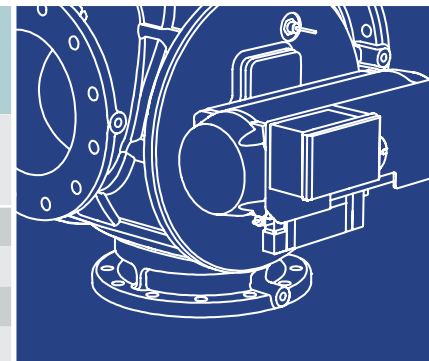
Outgoing models rotary feeders range

Rotary feeder type	Replaced by	Rotary feeder type
MDS	▶	CFM
HDS	▶	CFH
AGSY/PSY	▶	CFM/CFH
AG/AP	▶	A1/AG11 and AX1/AGX11 (series II)
A4/AG14	▶	A1/AG11 and AX1/AGX11 (series II)
D6/DG16	▶	D5 and DX5 (series II)
Blow	▶	D5 and DX5 (series II)
Drop	▶	A1/AG11 and AX1/AGX11 (series II)
AE/AGE	▶	AX1/AGX11 (series II)
DE/DGE	▶	D5 and DX5 (series II)
HDP/DPT	▶	CFH



Outgoing models diverter valves range

Diverter valve type	Replaced by	Diverter valve type
V/Y	▶	VST
T	▶	TST
ZWR	▶	VST (exception: "wear-resistant" version)
WKP	▶	ZWV



Zeppelin Sales Components
 Tel.: +49 7541 202-841
 Fax: +49 7541 202-582
 Email: birgit.ritter@zeppelin.com

Zeppelin Spare Parts Service
 Tel.: +49 7541 202-555
 Fax: +49 7541 202-276
 Email: service.systems@zeppelin.com

Zeppelin Systems GmbH
 Graf-Zeppelin-Platz 1
 88045 Friedrichshafen, Germany

For the complete Zeppelin Systems range please visit our website at
www.zeppelin-systems.com